



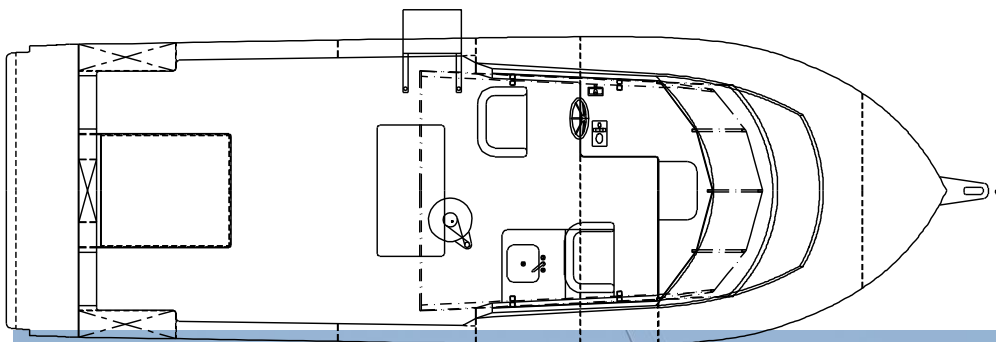
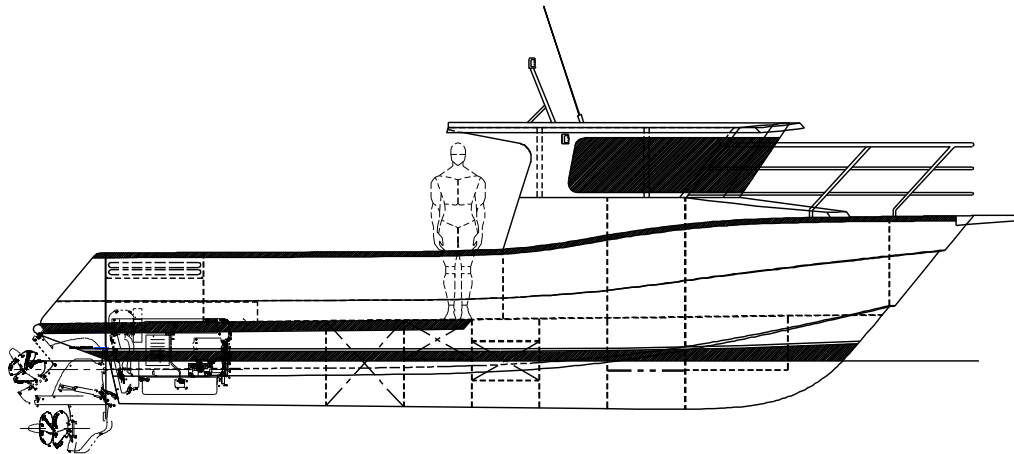
# MMD

## Naval Architects

### 9.7M COMMERCIAL FISHING VESSEL

<b>LENGTH</b>	<b>9.66</b>	<b>M</b>
<b>BEAM</b>	<b>3.17</b>	<b>M</b>
<b>POWER</b>	<b>300</b>	<b>HP</b>
<b>FUEL</b>	<b>800</b>	<b>L</b>
<b>SPEED</b>	<b>32</b>	<b>KNOTS</b>
<b>SURVEY</b>	<b>USL CLASS 3B</b>	
<b>CONSTRUCTION</b>	<b>ALUMINIUM</b>	

Winner of the BIA 2008 WA Boat of the year awards - Custom commercial vessel



117 Marine Tce  
 Fremantle  
 Western Australia  
 +61 (0)8 9336 6664  
[design@mmd.net.au](mailto:design@mmd.net.au)  
[www.mmd.net.au](http://www.mmd.net.au)

#### Why Choose MMD?

##### Expertise and Experience

With more than 45 years in the industry we have the knowledge and experience to complete your project.

##### Quality

As part of our commitment to the highest quality service we have maintained our certification to ISO 9001 Quality Assurance since 1998.

##### Speed

Turnaround times are critical in any industry. We have the flexibility to commit resources as necessary to meet the most demanding delivery schedule.

##### Service

We recognise and respect our client's knowledge and expertise in developing efficient working relationships.

© MMD Naval Architects, 2015  
 This specification, including the conceptual content thereof, drawings, specifications and particulars thereto is an integral part of the intellectual property of MMD Naval Architects

ISO 9001

BUREAU VERITAS  
Certification

No AUS12000231

