



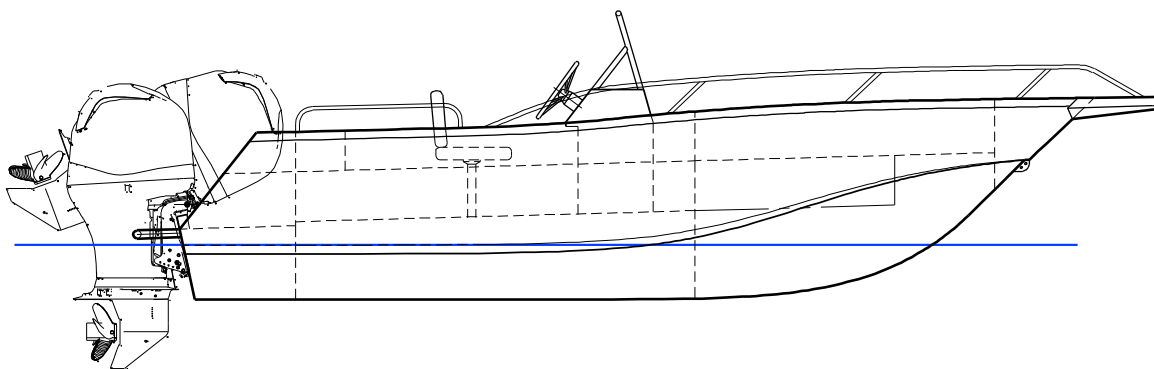
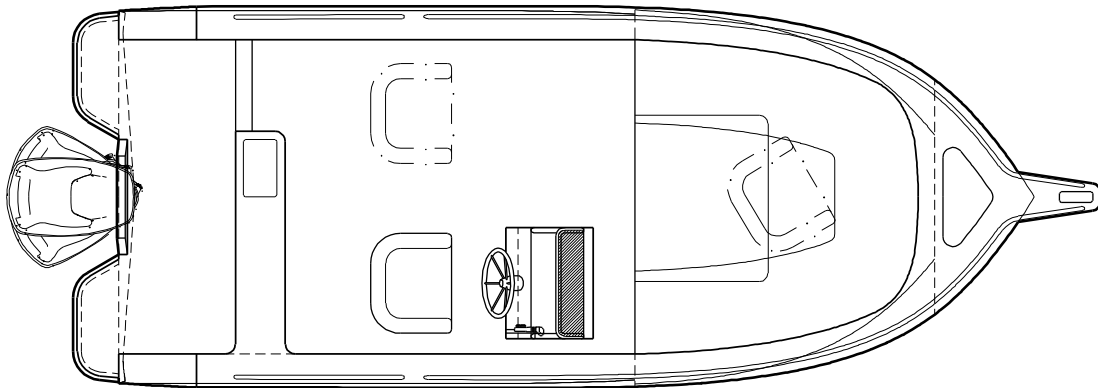
MMD

Naval Architects

5.5M PRO FISHER

LENGTH	5.50 M
BEAM	2.30 M
DEPTH	1.02 M
DEADRISE	17 DEGREES
POWER	115 HP
CONSTRUCTION	ALUMINIUM OR HDPE

The easily adoptable design of the Pro Fisher makes this a popular design for a family runabout or fishing platform.



Why Choose MMD?

Expertise and Experience

With more than 45 years in the industry we have the knowledge and experience to complete your project.

Quality

As part of our commitment to the highest quality service we have maintained our certification to ISO 9001 Quality Assurance since 1998.

Speed

Turnaround times are critical in any industry. We have the flexibility to commit resources as necessary to meet the most demanding delivery schedule.

Service

We recognise and respect our client's knowledge and expertise in developing efficient working relationships.

© MMD Naval Architects, 2015
This specification, including the conceptual content thereof, drawings, specifications and particulars thereto is an integral part of the intellectual property of MMD Naval Architects

ISO 9001

BUREAU VERITAS
Certification

No AUS12000231

